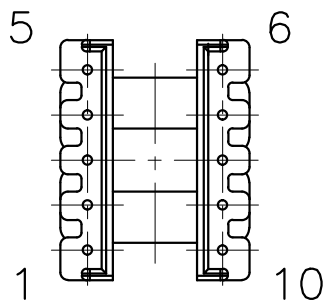


SECTION A-A



MARK			REVISION NOTE		DATE	DRAWN	CHECKED	APPROVED
DRAWN	CHECKED	APPROVED	MATERIAL : PHENOL	UL REC. : UL94V-0	THIRD ANGLE PROJ.	SCALE : 2/1		
Hyo Soon, Moon	Han Jung, Seo	C, Park	Z : PIN LENGTH (According to customer's request)	DATE : 2005.04.19	TOLERANCE : ±0.2 (Unless otherwise specified)	UNIT : m/m		
주식회사 대흥보빈 DAE HEUNG BOBBIN CO., LTD			TITLE EE 16*14 "V" (10P)		DWG NO DH-951102-2002-00			